

# SIS+ SERIES



SANITARY INTERNAL SEAL PUMP FOR SUPERIOR PERFORMANCE

**NEW!**



WITH ALL THE  
ADVANTAGES  
OF AN  
INTERNAL  
SEAL

# SIS+ SERIES

At Q-Pumps we have been designing pioneering solutions for each application for more than 20 years, therefore we have created the SIS+ Series especially for the beverage industry and low-viscosity products (<600 cP).



**Q** 1000 GPM / 3785 LPM

**μ** up to 600 cP

**P** 130 psi / 9 bar  
300 ft / 91 m

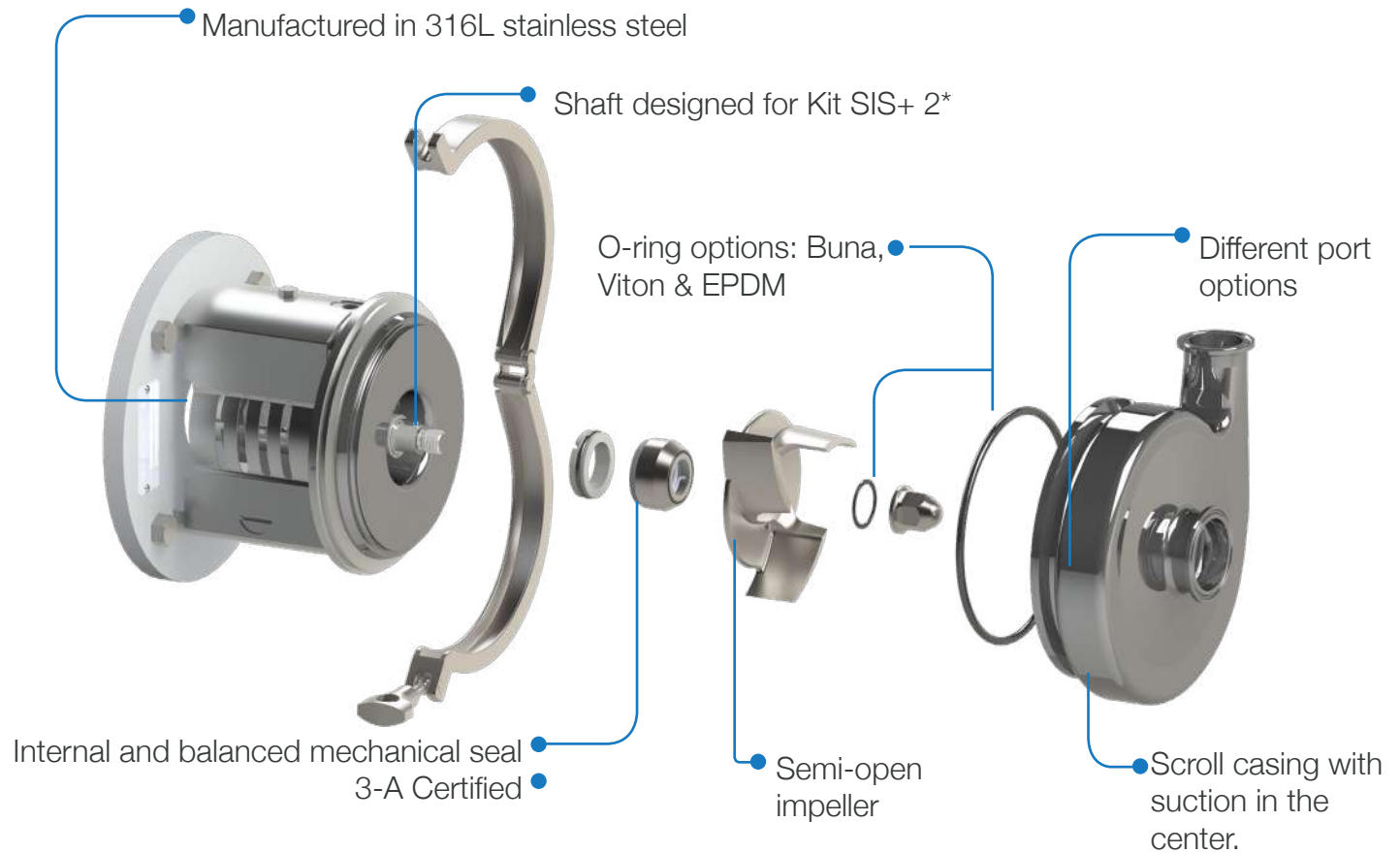
**T** 120 °C / 248 °F

## ADVANTAGES

- The internal seal is submerged inside the product to promote cooling, which reduces cavitation and provides a constant flow.
- Can run at low RPM to prevent deterioration of the product.
- The pressure inside the pump generates greater closing force on the faces of the seals, minimizing agglomeration of remaining solids.
- Reduction of damage generated by water hammer, which extends the life of the seal and avoids the usual leakings generated by wear.
- It represents a great saving since the SIS+ Series is hydraulically and dimensionally interchangeable with QC / C series pumps.
- 3-A certified



# PUMPING EVOLUTION



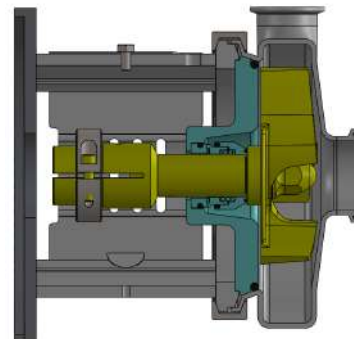
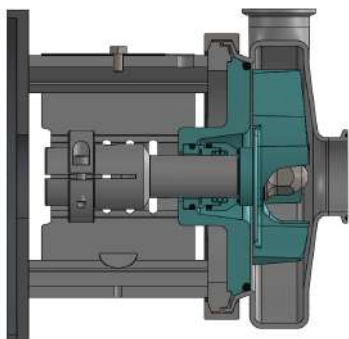
Any QC+ pump can be converted into a SIS+ through two kit options:

### SIS+1 Kit

It is possible to convert a QC+ into a SIS+ pump by replacing the internal seal, back cover, casing gasket, and impeller.

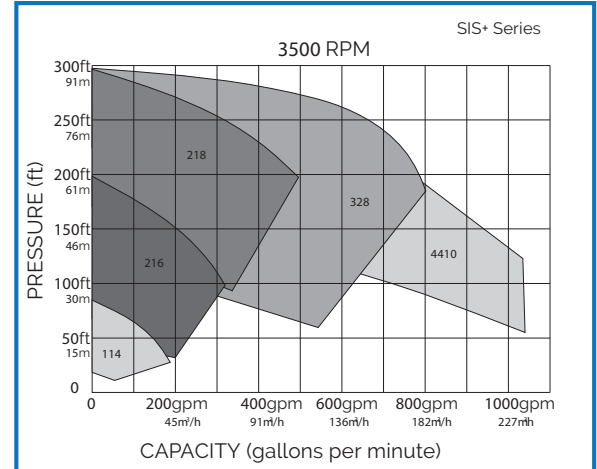
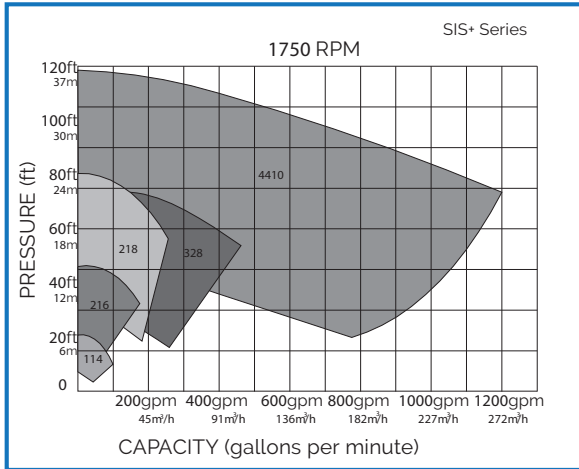
### \*SIS+2 Kit

Universally compatible with traditional standard QC/C series, can be transformed into a SIS+ by replacing the internal seal, stuv shaft, impeller and back cover.



# SIS+ SERIES

BRAND NEW SANITARY INTERNAL SEAL PUMP

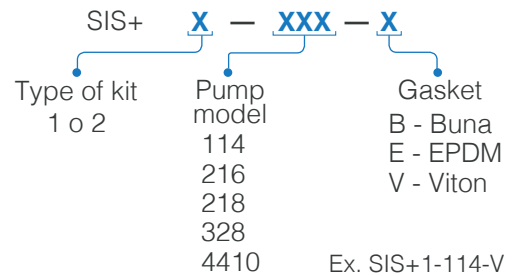


\*Curves just for reference

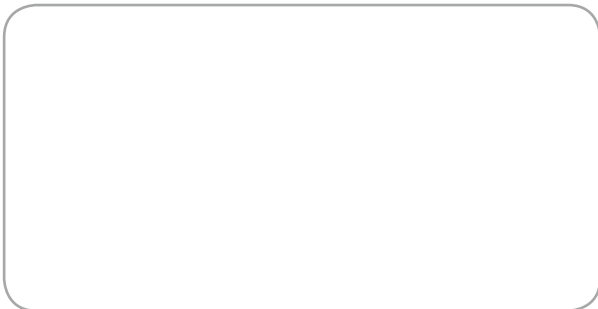
Model	Inlet*	Outlet*	Maximum impeller
SIS+ 114	1.5"	1.5"	4" - 102mm
SIS+ 214	2.0"	1.5"	4" - 102mm
SIS+ 216	2.0"	1.5"	6" - 152mm
SIS+ 316	2.5"	1.5"	6" - 152mm
SIS+ 218	2.0"	1.5"	8" - 203mm
SIS+ 318	3.0"	1.5"	8" - 203mm
SIS+ 328	3.0"	2.0"	8" - 203mm
SIS+ 428	4.0"	2.0"	8" - 203mm
SIS+ 4410	4.0"	4.0"	10" - 254mm
SIS+ 6410	6.0"	4.0"	10" - 254mm

\*Clamp, DIN, etc.

## Order your kit



Distributed by:



For more information visit [www.qpumps.com](http://www.qpumps.com)  
[sales@qpumps.com](mailto:sales@qpumps.com)  
 +52 (442) 103 31 00