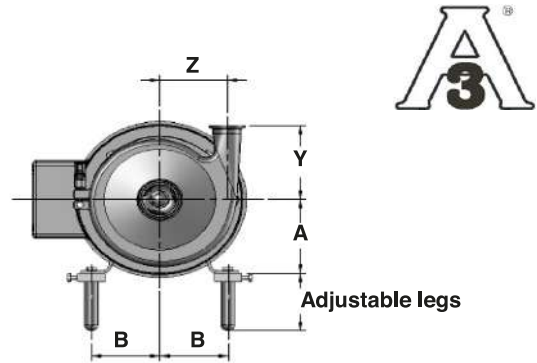
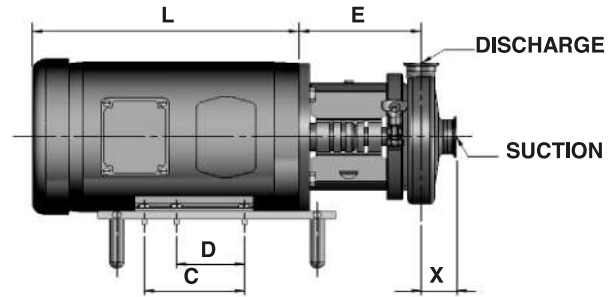


PORT CONNECTION	CLAMP	BEVEL SEAT	DIN	SMS	NPT	FLANGE	WELD	
	M	T	G	J	S	F	W	
QC-100	X	1.594			2.531		0.906	
	Y	3.500			4.188		3.000	
	Z	1.453			1.453		1.453	
QC-114	X <sub>114</sub>	1.563	1.813	2.063	2.063	2.688	2.406	1.063
	X <sub>214</sub>	1.563	1.813	2.063	2.063	2.594	2.406	1.063
	Y	3.656	3.907	4.156	4.156	4.781	5.438	3.156
	Z	2.625	2.625	2.625	2.625	2.625	2.625	2.625
QC-216	X <sub>216</sub>	1.875	2.125	2.375	2.375	2.907	2.844	1.375
	X <sub>316</sub>	1.875	2.281	2.500	2.500	3.125	2.844	1.375
	Y	4.531	4.781	5.031	5.031	5.656	6.313	4.031
	Z	3.688	3.688	3.688	3.688	3.688	3.688	3.688
QC-218	X <sub>218</sub>	1.891	2.141	2.391	2.391	2.922	2.844	1.391
	X <sub>318</sub>	1.891	2.313	2.891	2.891	3.594	2.844	1.391
	Y	5.500	5.750	6.000	6.000	6.625	7.844	5.000
	Z	4.750	4.750	4.750	4.750	4.750	4.750	4.750
QC-328	X <sub>328</sub>	2.313	2.734	3.313	3.313	4.016	3.344	1.813
	X <sub>428</sub>	2.313	2.938	3.313	3.313	3.688	2.625	1.688
	Y	5.500	5.750	6.000	6.000	6.532	7.938	5.000
	Z	4.750	4.750	4.750	4.750	4.750	4.750	4.750
QC-4410	X <sub>4410</sub>	3.157	3.782	4.156	4.156	4.532	4.688	2.532
	X <sub>6410</sub>	6.563	6.594	6.844	6.844	7.844	7.063	5.469
	Y	7.063	7.688	8.063	8.063	8.438	8.406 <sup>a</sup>	6.438
	Z	6.000	6.000	6.000	6.000	6.000	6.000	6.000

<sup>a</sup> 8.907 for QC-6410

Dimensions for reference only



Contact your local motor supplier for L dimensions.

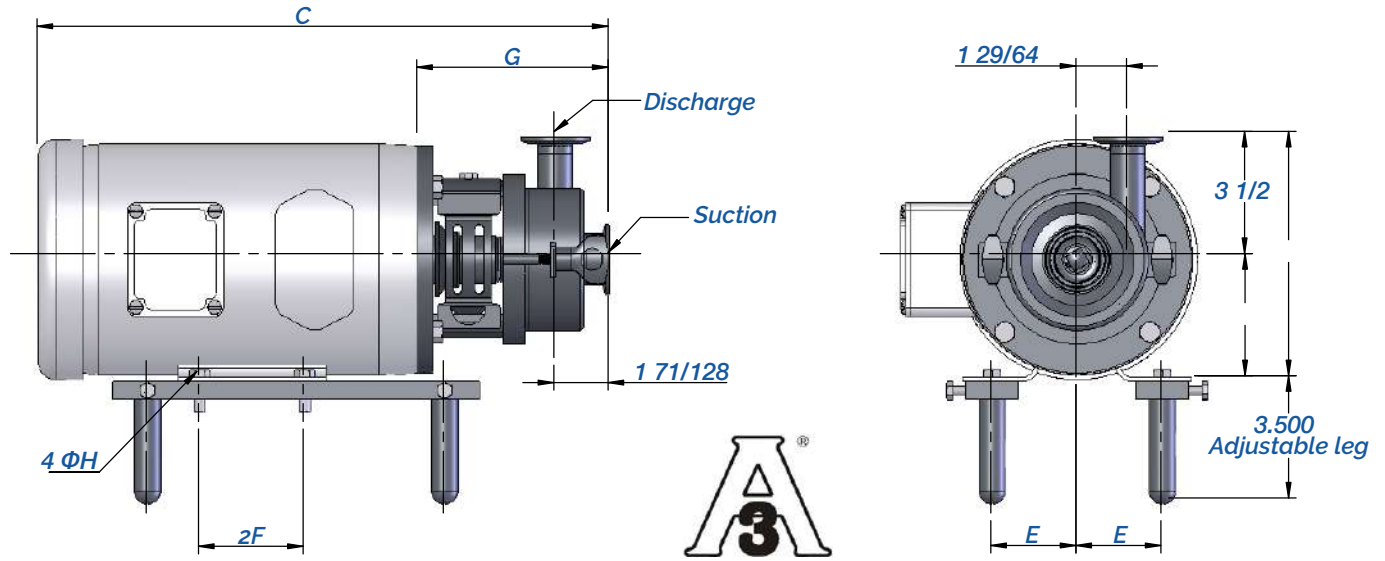
MOTOR	NEMA STANDARDS								IEC STANDARDS								
	56	143 145	182 184	213 215	254 256	284 286	324 326	364 365	71B14 71B5	80B14 80B5	90B14 90B5	100B14 100B5	112B14 112B5	132B14 132B5	160B14 160B5	180B5	200B5
A	3.500	3.500	4.500	5.250	6.250	7.000	8.000	9.000	2.795	3.150	3.543	3.937	4.409	5.197	6.299	7.087	7.874
B	2.438	2.750	3.750	4.250	5.000	5.500	6.250	7.000	2.205	2.461	2.756	3.150	3.740	4.252	5.000	5.492	6.260
C	3.000	4.000	4.500	5.500	8.250	9.500	10.500	11.250	3.543	3.937	3.937	4.409	4.488	5.512	8.268	9.488	10.512
D	5.000	5.000	5.500	7.000	10.000	11.000	12.000	12.250			4.921	5.512	5.512	7.008	10.000	10.984	12.008
SHAFT DIAMETER	0.625	0.875	1.125	1.375	1.625	1.875 1.625 <sup>b</sup>	2.125 1.875 <sup>b</sup>	2.375 1.875 <sup>b</sup>	0.551	0.748	0.945	1.102	1.102	1.496	1.654	1.890	2.165
SHAFT LENGHT	1.875	2.250	2.750	3.375	4.000	4.625 3.250 <sup>b</sup>	5.250 3.750 <sup>b</sup>	5.875 3.750 <sup>b</sup>	1.181	1.575	1.969	2.362	2.362	3.150	4.331	4.331	4.331

<sup>b</sup> TSC frames only

ADAPTER	NEMA STANDARDS								IEC STANDARDS <sup>c</sup>								
	56	143 145	182 184	213 215	254 256	284 286	324 326	364 365	71B14 71B5	80B14 80B5	90B14 90B5	100B14 100B5	112B14 112B5	132B14 132B5	160B14 160B5	180B5	200B5
QC-100 E	3.859	3.859							3.600	3.600							
QC-114 E	6.188	6.188	6.500						5.625	5.625	6.125						
QC-216 E	6.063	6.063	6.688	7.828	8.094				5.906	6.094	6.688	6.688	7.813	8.391			
QC-218 E		6.281	6.906	7.281	8.156	8.781	9.281 <sup>d</sup>			6.281	6.906	6.906	7.375	8.156	9.281		
QC-328 E			7.531	7.906	8.781	9.406	9.906 <sup>d</sup>	11.281				7.531	7.531	8.000	8.781	9.906	
QC-4410 E				9.688	9.828	10.500	12.094	12.594						9.688	9.828	10.500	10.500

<sup>c</sup> Some IEC frames B5 or B14 not available for every model

<sup>d</sup> For TC frames add 0.625 inches



Tefc Motor			Dimensions in inches (for reference only)							Approx Weight LBS
HP	RPM	NEMA	C	D	E	2F	G	H	K	
1/4	1750	56C	14,488	3,500	2,438	3,000	5,578	0,344	7,000	20
3/4	3500	56C	14,488	3,500	2,438	3,000	5,578	0,344	7,000	20
1	3500	56C	14,488	3,500	2,438	3,000	5,578	0,344	7,000	41
1-1/2	3500	56C	14,488	3,500	2,438	3,000	5,578	0,344	7,000	42
1-1/2	3500	143TC	17,050	3,500	2,750	4,000	5,578	0,344	7,000	44

Well- suited for multi-purpose use the external balanced seal type 'D' , is designed to give long service life. Typical application include dairy products, cream style corn, tomatoes, beverages, etc. Also applicable for acid cleaning solutions & detergents.

<b>Stainless Steel Construction</b>
Wet Parts - T-316 Stainless
Casing- T-316L Stainless
Non Wet Parts - T-304 Stainless

QC/QC+/IC+ Series pumps have standard stainless steel adapters & type 'D', 'DG' & 'E' seals available.

QC/QC+ Series pumps are in conformance with 3A sanitary standards for centrifugal & positive rotary pumps for milk & milk products, No. 02-10.

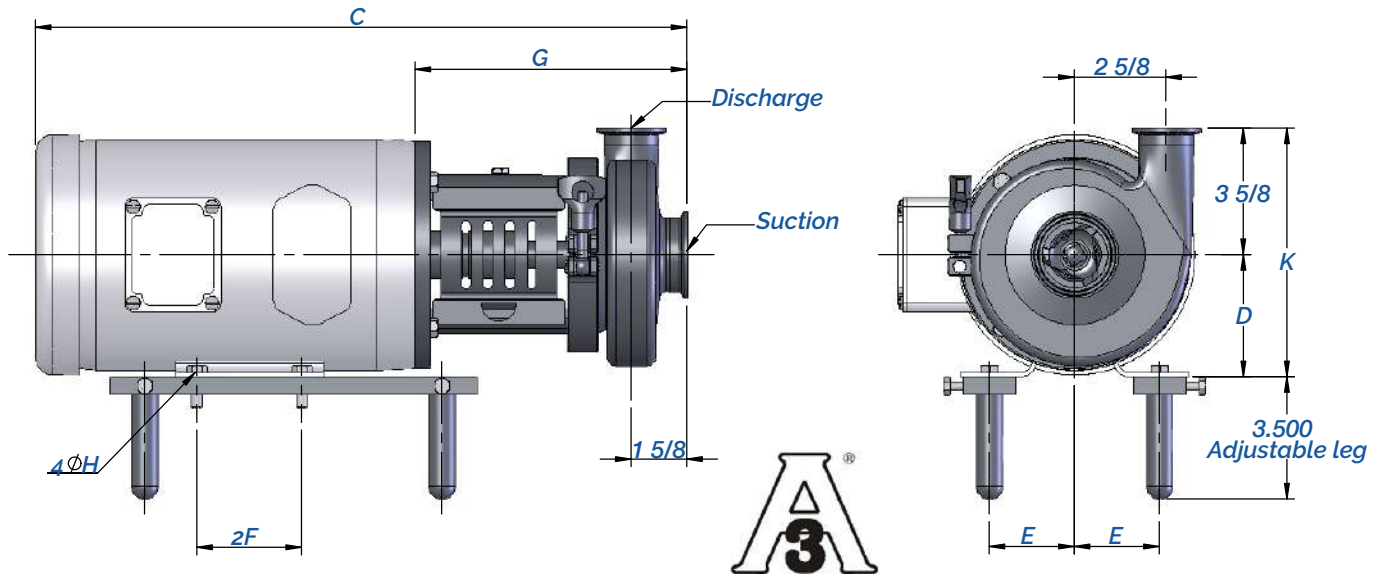
QC/QC+ Series pumps have a standard 32Ra (150 GRIT) finish (polished), on all product contact surfaces, although if specified, it can be electropolished or glass beaded.

**For technical assistance & quotes please contact us:**

Acceso A #103, Fracc. Industrial Jurica 76130  
Santiago de Querétaro, Oro., México

**Phone Number:** +52 (442) 218 4570 / 218 7400  
**Fax Phone:** +52 (442) 218 4577

[www.qpumps.com](http://www.qpumps.com)  
[sales@qpumps.com](mailto:sales@qpumps.com)  
[administration@qpumps.com](mailto:administration@qpumps.com)



Motor Tefc			Dimensiones en pulgadas (únicamente para referencia)							Peso Aprox. kg
HP	RPM	NEMA	C	D	E	2F	G	H	K	
1/4	1750	56C	16,688	3,500	2,438	3,000	7,781	0,344	7,125	20
1/2	1750	56C	16,688	3,500	2,438	3,000	7,781	0,344	7,125	20
1/2	1750	56C	16,688	3,500	2,438	3,000	7,781	0,344	7,125	41
3/4	3500	56C	16,688	3,500	2,438	3,000	7,781	0,344	7,125	42
1	3500	56C	16,688	3,500	2,438	3,000	7,781	0,344	7,125	44
1-1/2	3500	56C	16,688	3,500	2,438	3,000	7,781	0,344	7,125	59
1-1/2	3500	143TC	19,250	3,500	2,750	4,000	7,781	0,344	7,125	59
2	3500	56C	16,688	3,500	2,438	3,000	7,781	0,344	7,125	73
2	3500	145TC	19,250	3,500	2,750	5,500	7,781	0,344	7,125	66
3	3500	145TC	19,250	3,500	2,750	5,500	7,781	0,344	7,125	75
5	3500	184TC	22,250	4,500	3,750	5,500	8,094	0,406	8,125	98

Construcción en Acero Inoxidable
Partes en contacto directo con el fluido - T-316
Carcaza- T-316L
Partes en contacto directo con el fluido - T-304

QC/QC+/IC+ Series pumps have standard stainless steel adapters & type 'D', 'DG' & 'E' seals available.

QC/QC+ Series pumps are in conformance with 3A sanitary standards for centrifugal & positive rotary pumps for milk & milk products, No. 02-10.

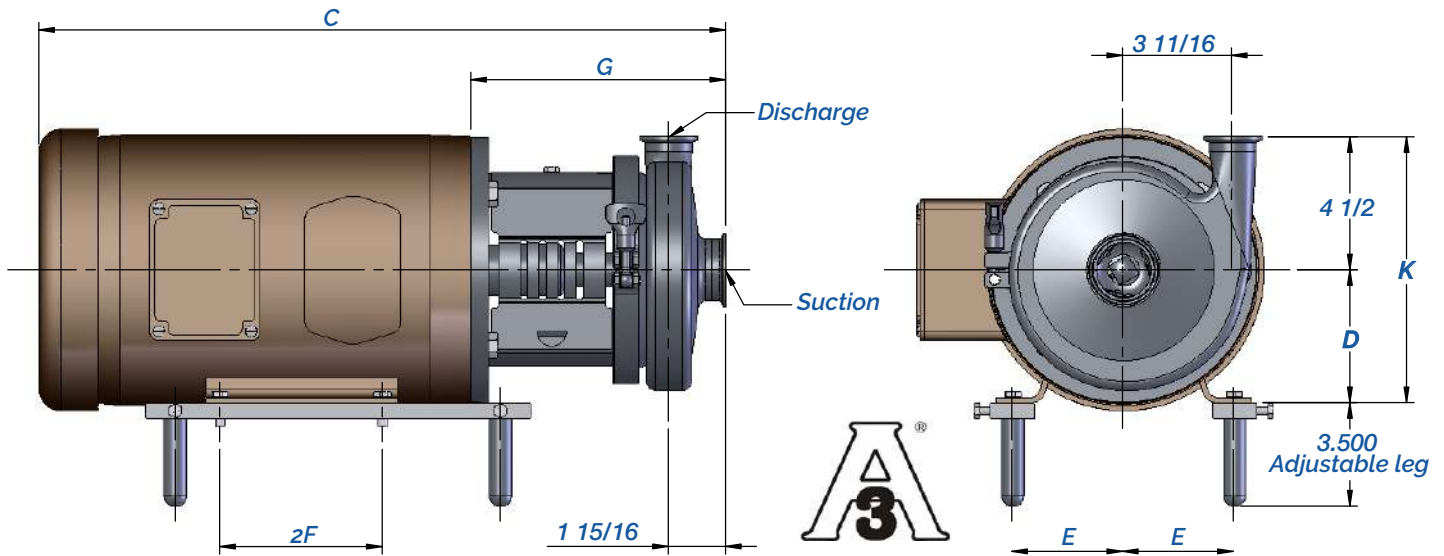
QC/QC+ Series pumps have a standard 32Ra (150 GRIT) finish (polished), on all product contact surfaces, although if specified, it can be electropolished or glass beaded.

*For technical assistance & quotes please contact us:*

Acceso A #103, Fracc. Industrial Jurica 76130  
Santiago de Querétaro, Oro., México

**Phone Number:** +52 (442) 218 4570 / 218 7400  
**Fax Phone:** +52 (442) 218 4577

[www.qpumps.com](http://www.qpumps.com)  
[sales@qpumps.com](mailto:sales@qpumps.com)  
[administration@qpumps.com](mailto:administration@qpumps.com)



Tefc Motor			Dimensions in inches (for reference only)							Approx Weight LBS
HP	RPM	NEMA	C	D	E	2F	G	H	K	
1/2	1750	56C	16,938	3,500	2,438	3,000	8,000	0,344	8,000	49
3/4	1750	56C	16,938	3,500	2,438	3,000	8,000	0,344	8,000	53
1	1750	56C	16,938	3,500	2,438	3,000	8,000	0,344	8,000	58
1-1/2	1750	56C	16,938	3,500	2,438	3,000	8,000	0,344	8,000	62
1-1/2	1750	145TC	19,500	3,500	2,750	5,000	8,000	0,344	8,000	72
2	1750	145TC	19,500	3,500	2,750	5,000	8,000	0,344	8,000	75
3	1750	182TC	22,750	4,500	3,750	4,500	8,625	0,406	9,000	104
3	3500	145TC	19,500	3,500	2,750	5,000	8,000	0,344	8,000	83
5	3500	184TC	24,125	4,500	3,750	5,000	8,625	0,406	9,000	106
7-1/2	3500	184TC	24,125	4,500	3,750	5,000	8,625	0,406	9,000	124
7-1/2	3500	213TC	25,000	5,250	4,250	5,000	9,750	0,406	9,750	128
10	3500	215TC	26,750	5,250	4,250	7,000	9,750	0,406	9,750	161
15	3500	215TC	26,750	5,250	4,250	7,000	9,750	0,406	9,750	201
20	3500	256TC	30,000	6,250	5,000	10,000	10,031	0,531	10,750	308

Stainless Steel Construction
Wet Parts - T-316 Stainless
Casing- T-316L Stainless
Non Wet Parts - T-304 Stainless

QC/QC+/IC+ Series pumps have standard stainless steel adapters & type 'D', 'DG' & 'E' seals available.

QC/QC+ Series pumps are in conformance with 3A sanitary standards for centrifugal & positive rotary pumps for milk & milk products, No. 02-10.

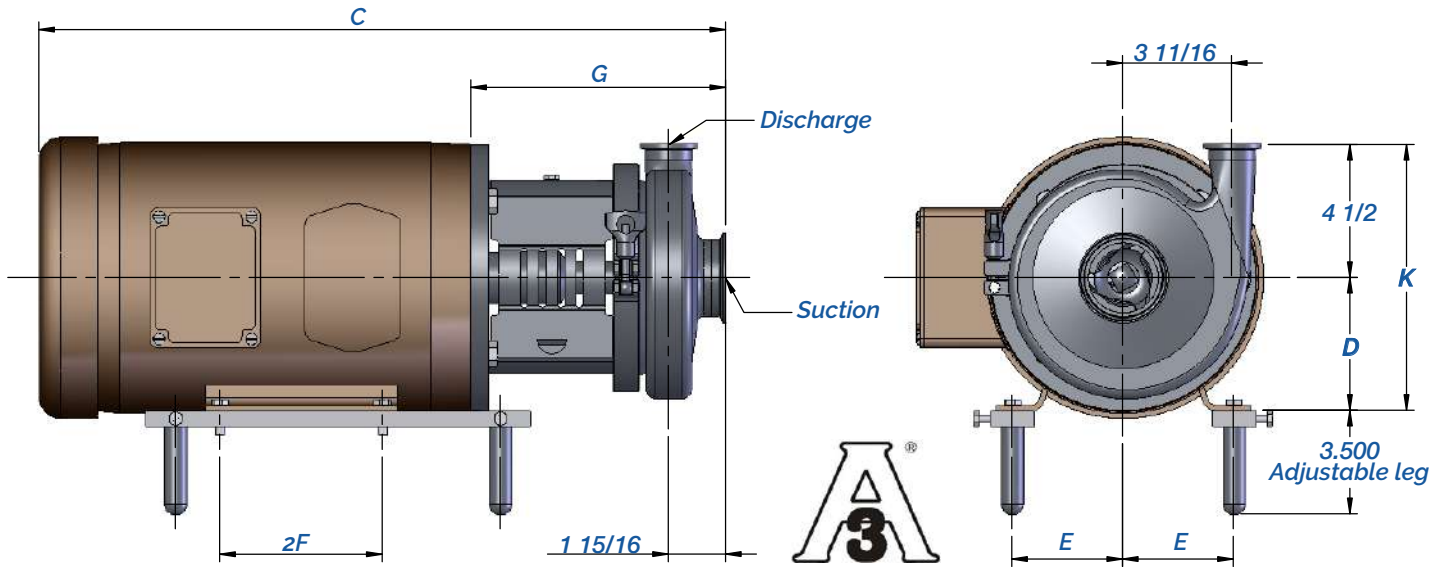
QC/QC+ Series pumps have a standard 32Ra (150 GRIT) finish (polished), on all product contact surfaces, although if specified, it can be electropolished or glass beaded.

**For technical assistance & quotes please contact us:**

Acceso A #103, Fracc. Industrial Jurica 76130  
Santiago de Querétaro, Qro., México

**Phone Number:** +52 (442) 218 4570 / 218 7400  
**Fax Phone:** +52 (442) 218 4577

[www.qpumps.com](http://www.qpumps.com)  
[sales@qpumps.com](mailto:sales@qpumps.com)  
[administration@qpumps.com](mailto:administration@qpumps.com)



Tefc Motor			Dimensions in inches (for reference only)							Approx Weight LBS
HP	RPM	NEMA	C	D	E	2F	G	H	K	
1/2	1750	56C	16,938	3,500	2,438	3,000	8,000	0,344	8,000	49
3/4	1750	56C	16,938	3,500	2,438	3,000	8,000	0,344	8,000	53
1	1750	56C	16,938	3,500	2,438	3,000	8,000	0,344	8,000	58
1-1/2	1750	56C	16,938	3,500	2,438	3,000	8,000	0,344	8,000	62
1-1/2	1750	145TC	19,500	3,500	2,750	5,000	8,000	0,344	8,000	72
2	1750	145TC	19,500	3,500	2,750	5,000	8,000	0,344	8,000	75
3	1750	182TC	22,750	4,500	3,750	4,500	8,625	0,406	9,000	104
3	3500	145TC	19,500	3,500	2,750	5,000	8,000	0,344	8,000	83
5	3500	184TC	24,125	4,500	3,750	5,500	8,625	0,406	9,000	106
7-1/2	3500	184TC	24,125	4,500	3,750	5,500	8,625	0,406	9,000	124
7-1/2	3500	213TC	25,000	5,250	4,250	5,500	9,750	0,406	9,750	128
10	3500	215TC	26,750	5,250	4,250	7,000	9,750	0,406	9,750	161
15	3500	215TC	26,750	5,250	4,250	7,000	9,750	0,406	9,750	201
20	3500	256TC	30,000	6,250	5,000	10,000	10,031	0,531	10,750	308

<b>Stainless Steel Construction</b>
Wet Parts - T-316 Stainless
Casing- T-316L Stainless
Non Wet Parts - T-304 Stainless

QC/QC+/IC+ Series pumps have standard stainless steel adapters & type 'D', 'DG' & 'E' seals available.

QC/QC+ Series pumps are in conformance with 3A sanitary standards for centrifugal & positive rotary pumps for milk & milk products, No. 02-10.

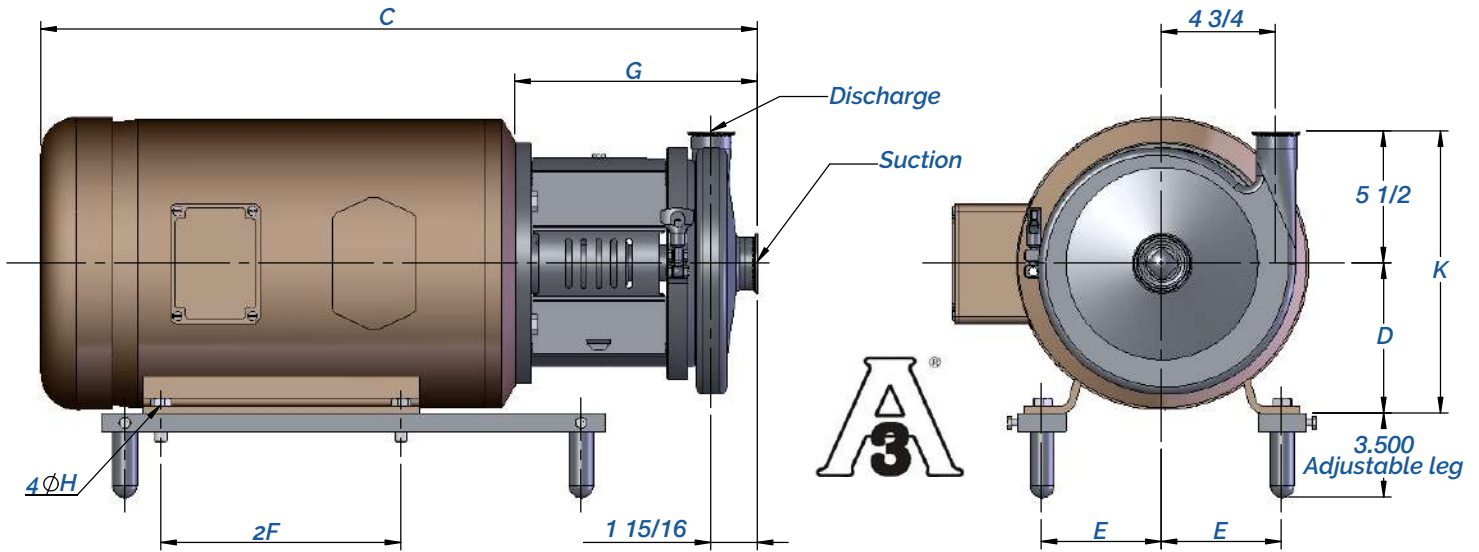
QC/QC+ Series pumps have a standard 32Ra (150 GRIT) finish (polished), on all product contact surfaces, although if specified, it can be electropolished or glass beaded.

**For technical assistance & quotes please contact us:**

Acceso A #103, Fracc. Industrial Jurica 76130  
Santiago de Querétaro, Oro., México

**Phone Number:** +52 (442) 218 4570 / 218 7400  
**Fax Phone:** +52 (442) 218 4577

[www.qpumps.com](http://www.qpumps.com)  
[sales@qpumps.com](mailto:sales@qpumps.com)  
[administration@qpumps.com](mailto:administration@qpumps.com)



Tefc Motor			Dimensions in inches (for reference only)							Approx Weight LBS
HP	RPM	NEMA	C	D	E	2F	G	H	K	
1-1/2	1750	145TC	19,375	3,500	3,750	5,000	8,250	0,344	9,000	40
2	1750	145TC	19,375	3,500	2,750	5,000	8,250	0,344	9,000	41
3	1750	182TC	22,500	4,500	3,750	4,500	8,875	0,406	10,000	55
5	1750	184TC	23,875	4,500	3,750	5,500	8,875	0,406	10,000	58
7-1/2	1750	213TC	24,375	5,250	4,250	5,500	9,250	0,406	10,750	83
5	3500	184TC	23,875	4,500	3,750	5,500	8,875	0,406	10,000	56
7-1/2	3500	184TC	23,875	4,500	3,750	5,500	8,875	0,406	10,000	64
7-1/2	3500	213TC	24,375	5,250	4,250	5,500	9,250	0,406	10,750	66
10	3500	215TC	26,125	5,250	4,250	7,000	9,250	0,406	10,750	81
15	3500	215TC	26,125	5,250	4,250	7,000	9,250	0,406	10,750	99
20	3500	256TC	30,375	6,250	5,000	10,000	10,125	0,531	11,750	148
25	3500	284TSC	34,313	7,000	5,500	9,500	10,750	0,531	12,500	190
30	3500	286TSC	34,313	7,000	5,500	11,000	10,750	0,531	12,500	200

<b>Stainless Steel Construction</b>
Wet Parts - T-316 Stainless
Casing- T-316L Stainless
Non Wet Parts - T-304 Stainless

QC/QC+/IC+ Series pumps have standard stainless steel adapters & type 'D', 'DG' & 'E' seals available.

QC/QC+ Series pumps are in conformance with 3A sanitary standards for centrifugal & positive rotary pumps for milk & milk products, No. 02-10.

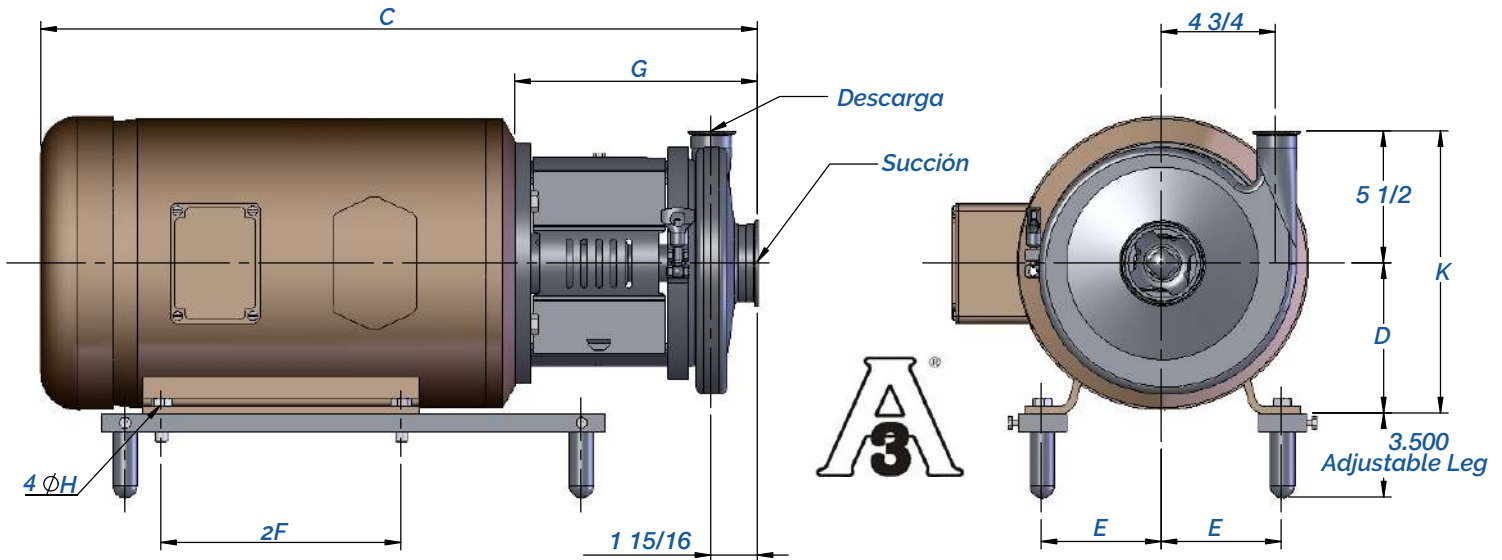
QC/QC+ Series pumps have a standard 32Ra (150 GRIT) finish (polished), on all product contact surfaces, although if specified, it can be electropolished or glass beaded.

**For technical assistance & quotes please contact us:**

Acceso A #103, Fracc. Industrial Jurica 76130  
Santiago de Querétaro, Oro., México

**Phone Number:** +52 (442) 218 4570 / 218 7400  
**Fax Phone:** +52 (442) 218 4577

[www.qpumps.com](http://www.qpumps.com)  
[sales@qpumps.com](mailto:sales@qpumps.com)  
[administration@qpumps.com](mailto:administration@qpumps.com)



Tefc Motor			Dimensions in inches (for reference only)							Approx Weight LBS
HP	RPM	NEMA	C	D	E	2F	G	H	K	
1-1/2	1750	145TC	19,375	3,500	3,750	5,000	8,250	0,344	9,000	88
2	1750	145TC	19,375	3,500	2,750	5,000	8,250	0,344	9,000	91
3	1750	182TC	22,500	4,500	3,750	4,500	8,875	0,406	10,000	121
5	1750	184TC	23,875	4,500	3,750	5,500	8,875	0,406	10,000	128
7-1/2	1750	213TC	24,375	5,250	4,250	5,500	9,250	0,406	10,750	182
5	3500	184TC	23,875	4,500	3,750	5,500	8,875	0,406	10,000	123
7-1/2	3500	184TC	23,875	4,500	3,750	5,500	8,875	0,406	10,000	141
7-1/2	3500	213TC	24,375	5,250	4,250	5,500	9,250	0,406	10,750	145
10	3500	215TC	26,125	5,250	4,250	7,000	9,250	0,406	10,750	78
15	3500	215TC	26,125	5,250	4,250	7,000	9,250	0,406	10,750	218
20	3500	256TC	30,375	6,250	5,000	10,000	10,125	0,531	11,750	326
25	3500	284TSC	34,313	7,000	5,500	9,500	10,750	0,531	12,500	418
30	3500	286TSC	34,313	7,000	5,500	11,000	10,750	0,531	12,500	440

<b>Stainless Steel Construction</b>
Wet Parts - T-316 Stainless
Casing- T-316L Stainless
Non Wet Parts - T-304 Stainless

QC/QC+/IC+ Series pumps have standard stainless steel adapters & type 'D', 'DG' & 'E' seals available.

QC/QC+ Series pumps are in conformance with 3A sanitary standards for centrifugal & positive rotary pumps for milk & milk products, No. 02-10.

QC/QC+ Series pumps have a standard 32Ra (150 GRIT) finish (polished), on all product contact surfaces, although if specified, it can be electropolished or glass beaded.

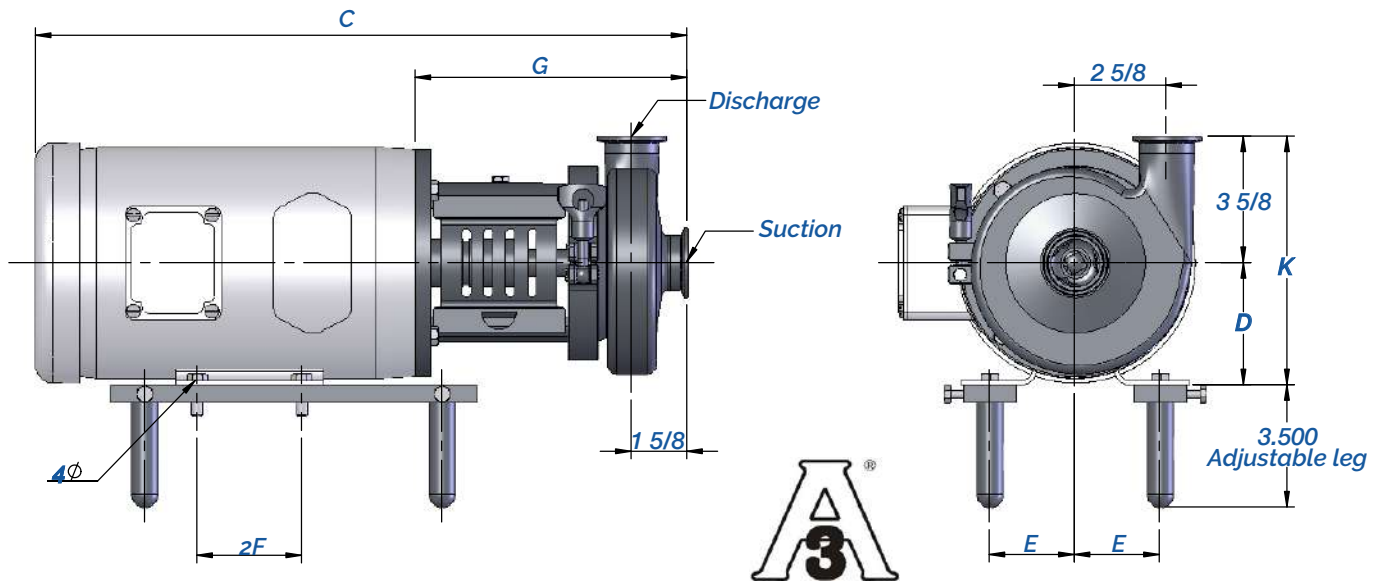
**For technical assistance & quotes please contact us:**

Acceso A #103, Fracc. Industrial Jurica 76130  
Santiago de Querétaro, Oro., México

**Phone Number:** +52 (442) 218 4570 / 218 7400

**Fax Phone:** +52 (442) 218 4577

[www.qpumps.com](http://www.qpumps.com)  
[sales@qpumps.com](mailto:sales@qpumps.com)  
[administration@qpumps.com](mailto:administration@qpumps.com)



Tefc Motor			Dimensions in inches (for reference only)							Approx Weight LBS
HP	RPM	NEMA	C	D	E	2F	G	H	K	
1/4	1750	56C	16,688	3,500	2,438	3,000	7,781	0,344	7,125	20
1/2	1750	56C	16,688	3,500	2,438	3,000	7,781	0,344	7,125	20
1/2	1750	56C	16,688	3,500	2,438	3,000	7,781	0,344	7,125	41
3/4	3500	56C	16,688	3,500	2,438	3,000	7,781	0,344	7,125	42
1	3500	56C	16,688	3,500	2,438	3,000	7,781	0,344	7,125	44
1-1/2	3500	56C	16,688	3,500	2,438	3,000	7,781	0,344	7,125	59
1-1/2	3500	143TC	19,250	3,500	2,750	4,000	7,781	0,344	7,125	59
2	3500	56C	16,688	3,500	2,438	3,000	7,781	0,344	7,125	73
2	3500	145TC	19,250	3,500	2,750	5,000	7,781	0,344	7,125	66
3	3500	145TC	19,250	3,500	2,750	5,000	7,781	0,344	7,125	75
5	3500	184TC	22,250	3,500	2,750	5,000	8,094	0,406	8,125	98

<b>Stainless Steel Construction</b>
Wet Parts - T-316 Stainless
Casing- T-316L Stainless
Non Wet Parts - T-304 Stainless

QC/QC+/IC+ Series pumps have standard stainless steel adapters & type 'D', 'DG' & 'E' seals available.

QC/QC+ Series pumps are in conformance with 3A sanitary standards for centrifugal & positive rotary pumps for milk & milk products, No. 02-10.

QC/QC+ Series pumps have a standard 32Ra (150 GRIT) finish (polished), on all product contact surfaces, although if specified, it can be electropolished or glass beaded.

**For technical assistance & quotes please contact us:**

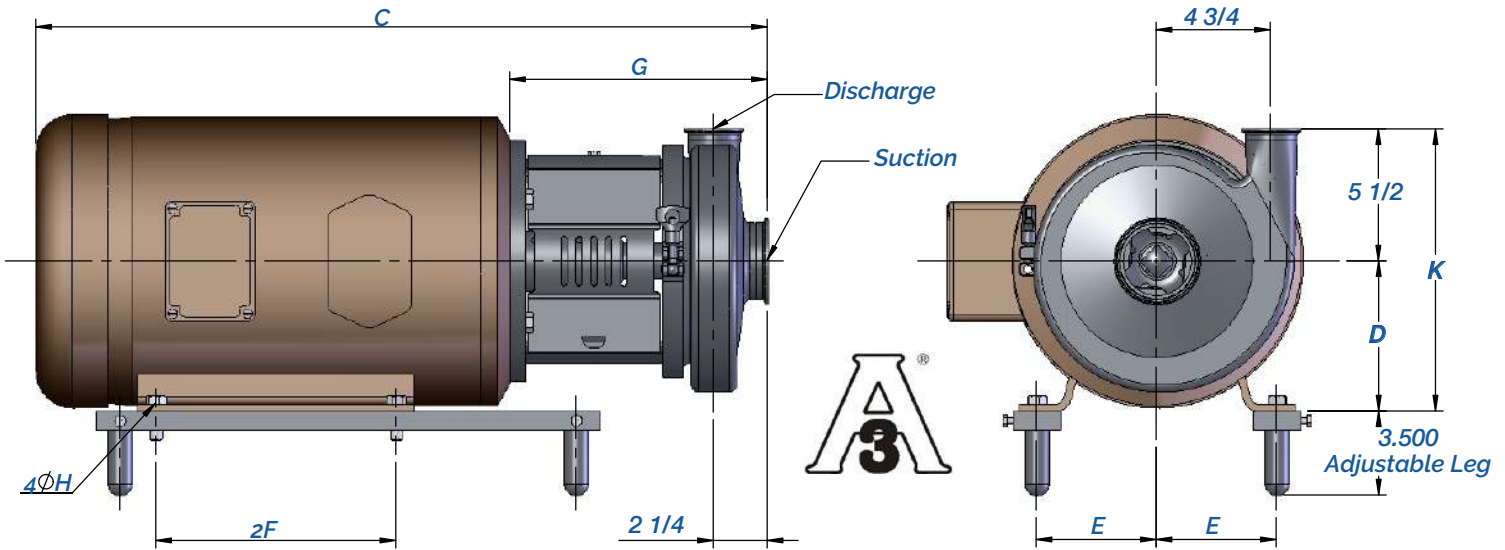
Acceso A #103, Fracc. Industrial Jurica 76130  
Santiago de Querétaro, Gro., México

**Phone Number:** +52 (442) 218 4570 / 218 7400

**Fax Phone:** +52 (442) 218 4577

[www.qpumps.com](http://www.qpumps.com)  
[sales@qpumps.com](mailto:sales@qpumps.com)  
[administration@qpumps.com](mailto:administration@qpumps.com)





Tefc Motor			Dimensions in inches (for reference only)							Approx Weight LBS
HP	RPM	NEMA	C	D	E	2F	G	H	K	
2	1750	145TC	19,500	3,500	2,750	5,000	8,875	0,344	9,000	97
3	1750	182TC	2,625	4,500	3,750	4,500	9,500	0,466	10,000	124
5	1750	184TC	24,000	4,500	3,750	5,500	9,500	0,406	110,000	131
7-1/2	1750	213TC	24,500	5,250	4,250	5,500	9,875	0,406	10,750	183
10	1750	215TC	26,2500	5,250	4,250	7,000	9,875	0,406	10,750	193
5	3500	184TC	24,000	4,500	3,750	5,500	9,500	0,406	10,000	126
7-1/2	3500	184TC	24,000	4,500	3,750	5,500	9,500	0,406	10,000	144
7-1/2	3500	213TC	24,500	5,250	4,250	5,500	9,875	0,406	10,750	146
10	3500	215TC	26,250	5,250	4,250	7,000	9,875	0,406	10,750	179
15	3500	215TC	26,250	5,250	4,250	7,000	9,875	0,406	10,750	219
20	3500	256TC	28,375	6,250	5,000	10,000	10,7500	0,531	11,750	328
25	3500	284TSC	31,125	7,000	5,500	9,500	11,375	0,531	12,500	420
30	3500	286TSC	34,500	7,000	5,500	11,000	11,375	0,531	12,500	442
40	3500	324TSC	34,375	8,000	6,250	10,500	11,875	0,656	13,500	549
50	3500	326TSC	36,000	8,000	6,250	12,000	11,875	0,656	13,500	651

<b>Stainless Steel Construction</b>
Wet Parts - T-316 Stainless
Casing- T-316L Stainless
Non Wet Parts - T-304 Stainless

QC/QC+/IC+ Series pumps have standard stainless steel adapters & type 'D', 'DG' & 'E' seals available.

QC/QC+ Series pumps are in conformance with 3A sanitary standards for centrifugal & positive rotary pumps for milk & milk products, No. 02-10.

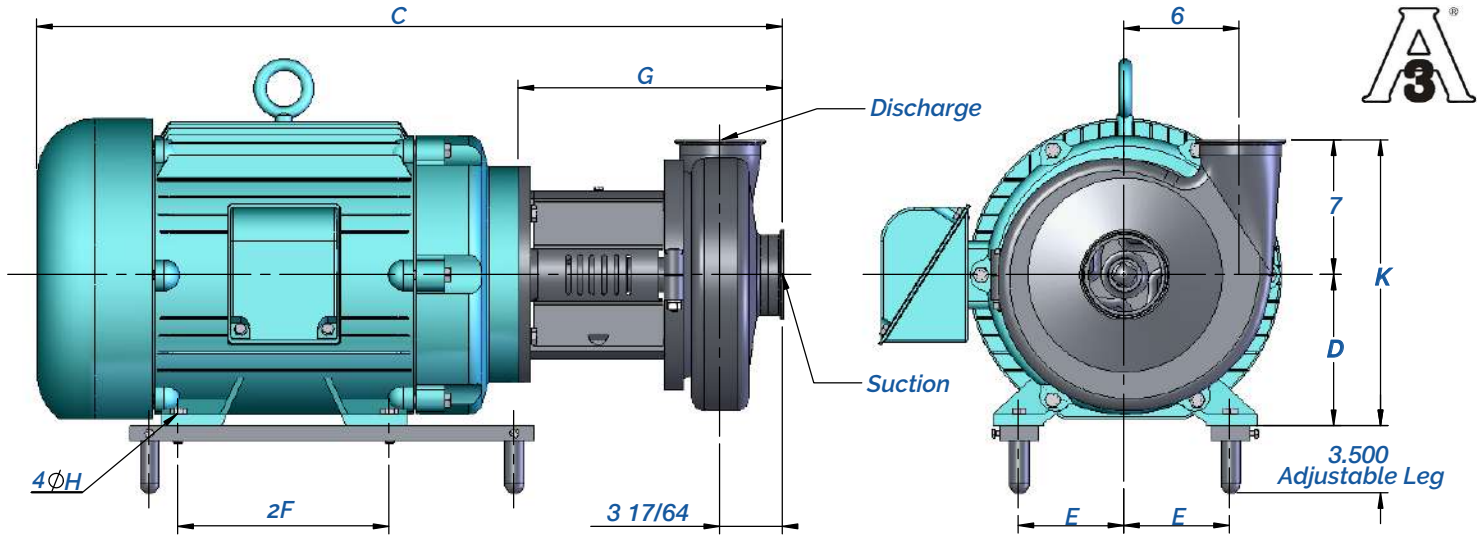
QC/QC+ Series pumps have a standard 32Ra (150 GRIT) finish (polished), on all product contact surfaces, although if specified, it can be electropolished or glass beaded.

**For technical assistance & quotes please contact us:**

Acceso A #103, Fracc. Industrial Jurica 76130  
Santiago de Querétaro, Qro., México

**Phone Number:** +52 (442) 218 4570 / 218 7400  
**Fax Phone:** +52 (442) 218 4577

[www.qpumps.com](http://www.qpumps.com)  
[sales@qpumps.com](mailto:sales@qpumps.com)  
[administration@qpumps.com](mailto:administration@qpumps.com)



Tefc Motor			Dimensions in inches (for reference only)							Approx Weight LBS
HP	RPM	NEMA	C	D	E	2F	G	H	K	
7-1/2	1750	213TC	28,250	5,250	4,250	5,500	13,000	0,406	12,250	230
10	1750	215TC	30,000	5,250	4,250	7,000	13,000	0,406	12,250	240
15	1750	254TC	30,625	6,250	5,000	8,250	13,125	0,531	13,250	358
20	1750	256TC	32,750	6,250	5,000	10,000	13,125	0,531	13,250	381
25	1750	284TC	36,438	7,000	5,500	9,500	13,750	0,531	14,000	514
30	1750	286TC	36,438	7,000	5,500	11,000	13,750	0,531	14,000	525
20	3500	256TC	32,750	6,250	5,000	10,000	13,125	0,531	13,250	375
25	3500	284TSC	36,438	7,000	5,500	9,500	13,750	0,531	14,000	474
30	3500	286TSC	36,438	7,000	5,500	11,000	13,750	0,531	14,000	496
40	3500	324TSC	38,188	8,000	6,250	10,500	15,375	0,656	15,000	617
50	3500	326TSC	38,188	8,000	6,250	12,000	15,375	0,656	15,000	726
60	3500	364TSC	40,438	9,000	7,000	11,250	15,375	0,656	116,000	867
75	3500	365TSC	40,438	9,000	7,000	12,250	15,375	0,656	116,000	893

<b>Stainless Steel Construction</b>
Wet Parts - T-316 Stainless
Casing- T-316L Stainless
Non Wet Parts - T-304 Stainless

QC/QC+/IC+ Series pumps have standard stainless steel adapters & type 'D', 'DG' & 'E' seals available.

QC/QC+ Series pumps are in conformance with 3A sanitary standards for centrifugal & positive rotary pumps for milk & milk products, No. 02-10.

QC/QC+ Series pumps have a standard 32Ra (150 GRIT) finish (polished), on all product contact surfaces, although if specified, it can be electropolished or glass beaded.

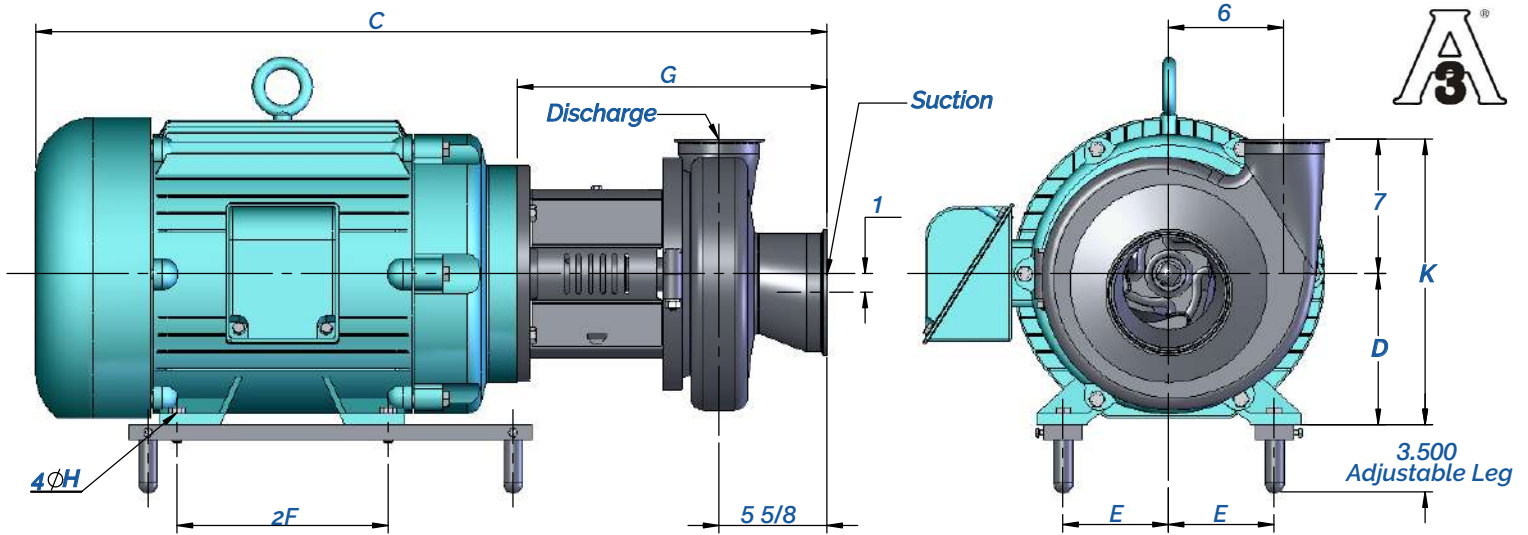
**For technical assistance & quotes please contact us:**

Acceso A #103, Fracc. Industrial Jurica 76130  
Santiago de Querétaro, Qro., México

**Phone Number:** +52 (442) 218 4570 / 218 7400

**Fax Phone:** +52 (442) 218 4577

[www.qpumps.com](http://www.qpumps.com)  
[sales@qpumps.com](mailto:sales@qpumps.com)  
[administration@qpumps.com](mailto:administration@qpumps.com)



Tefc Motor			Dimensions in inches (for reference only)							Approx Weight LBS
HP	RPM	NEMA	C	D	E	2F	G	H	K	
7-1/2	1750	213TC	00,625	5,250	4,250	5,500	15,375	0,406	12,250	230
10	1750	215TC	32,375	5,250	4,250	7,000	15,375	0,406	12,250	240
15	1750	254TC	33,000	6,250	5,000	8,250	15,500	0,531	13,250	358
20	1750	256TC	35,125	6,250	5,000	10,000	15,500	0,531	13,250	381
25	1750	284TC	38,813	7,000	5,500	9,500	16,125	0,531	14,000	514
30	1750	286TC	38,813	7,000	5,500	11,000	16,125	0,531	14,000	525
20	3500	256TC	35,125	6,250	5,000	10,000	15,500	0,531	13,250	375
25	3500	284TSC	38,813	7,000	5,500	9,500	16,125	0,531	14,000	474
30	3500	286TSC	38 13/16	7,000	5,500	11,000	16,125	0,531	14,000	496
40	3500	324TSC	40,563	8,000	6,250	10,500	17,750	0,656	15,000	617
50	3500	326TSC	40,563	8,000	6,250	12,000	17,750	0,656	15,000	726
60	3500	364TSC	42,813	9,000	7,000	11,250	17,750	0,656	16,000	867
75	3500	365TSC	42,813	9,000	7,000	12,250	17,750	0,656	16,000	893

<b>Stainless Steel Construction</b>
Wet Parts - T-316 Stainless
Casing- T-316L Stainless
Non Wet Parts - T-304 Stainless

QC/QC+/IC+ Series pumps have standard stainless steel adapters & type 'D', 'DG' & 'E' seals available.

QC/QC+ Series pumps are in conformance with 3A sanitary standards for centrifugal & positive rotary pumps for milk & milk products, No. 02-10.

QC/QC+ Series pumps have a standard 32Ra (150 GRIT) finish (polished), on all product contact surfaces, although if specified, it can be electropolished or glass beaded.

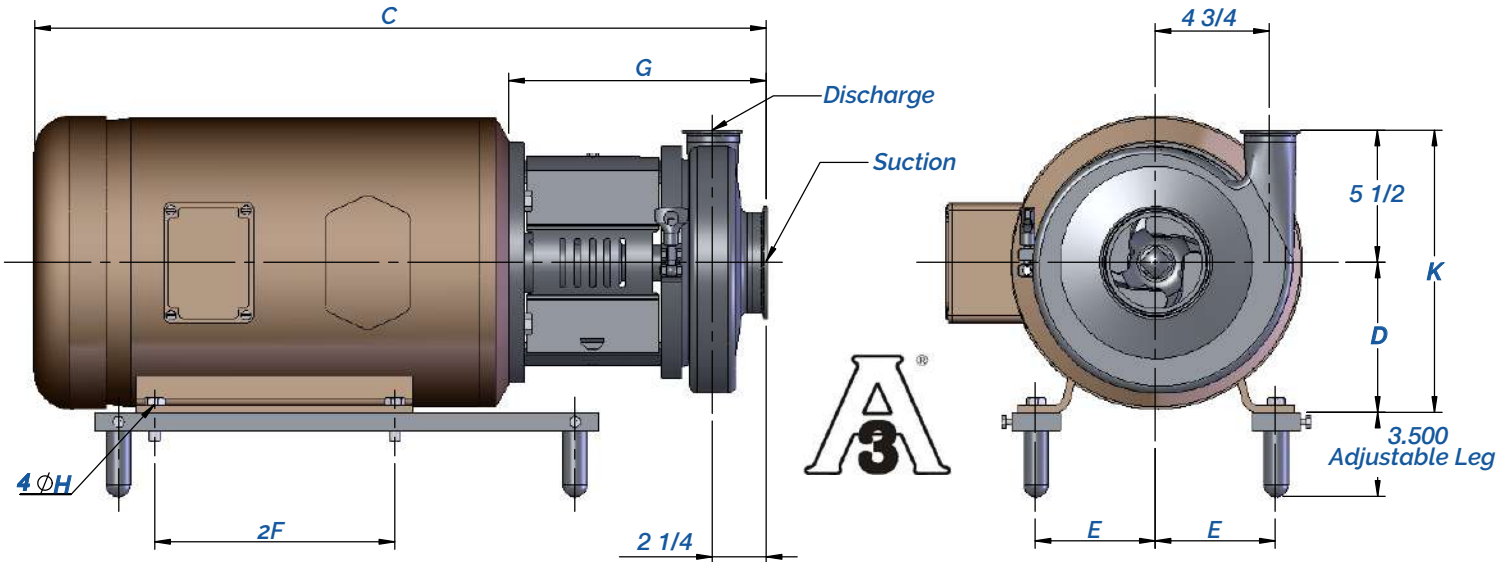
**For technical assistance & quotes please contact us:**

Acceso A #103, Fracc. Industrial Jurica 76130  
Santiago de Querétaro, Qro., México

**Phone Number:** +52 (442) 218 4570 / 218 7400

**Fax Phone:** +52 (442) 218 4577

[www.qpumps.com](http://www.qpumps.com)  
[sales@qpumps.com](mailto:sales@qpumps.com)  
[administration@qpumps.com](mailto:administration@qpumps.com)



Tefc Motor			Dimensions in inches (for reference only)							Approx Weight LBS
HP	RPM	NEMA	C	D	E	2F	G	H	K	
2	1750	145TC	19,500	3,500	2,750	5,000	8,875	0,344	9,000	97
3	1750	182TC	22,625	4,500	3,750	4,500	9,500	0,406	10,000	124
5	1750	184TC	24,000	4,500	3,750	5,500	9,500	0,406	10,000	131
7-1/2	1750	213TC	24,500	5,250	4,250	5,500	9,875	0,406	10,750	183
10	1750	215TC	26,250	5,250	4,250	7,000	9,875	0,406	10,750	193
5	3500	184TC	24,000	4,500	3,750	5,500	9,500	0,406	10,000	126
7-1/2	3500	184TC	24,000	4,500	3,750	5,500	9,500	0,406	10,000	144
7-1/2	3500	213TC	24,500	5,250	4,250	5,500	9,875	0,406	10,750	146
10	3500	215TC	26,250	5,250	4,250	7,000	9,875	0,406	10,750	179
15	3500	215TC	26,250	5,250	4,250	7,000	9,875	0,406	10,750	219
20	3500	256TC	28,,375	6,250	5,000	10,000	10,750	0,531	11,750	328
25	3500	284TSC	31,125	7,000	5,500	9,500	11,375	0,531	12,500	420
30	3500	286TSC	34,500	7,000	5,500	11,000	11,375	0,531	12,500	442
40	3500	324TSC	34,375	8,000	6,250	10,500	11,875	0,656	13,500	549
50	3500	326TSC	36,000	8,000	6,250	12,000	11,875	0,656	13,500	651

<b>Stainless Steel Construction</b>
Wet Parts - T-316 Stainless
Casing- T-316L Stainless
Non Wet Parts - T-304 Stainless

QC/QC+/IC+ Series pumps have standard stainless steel adapters & type 'D', 'DG' & 'E' seals available.

QC/QC+ Series pumps are in conformance with 3A sanitary standards for centrifugal & positive rotary pumps for milk & milk products, No. 02-10.

QC/QC+ Series pumps have a standard 32Ra (150 GRIT) finish (polished), on all product contact surfaces, although if specified, it can be electropolished or glass beaded.

**For technical assistance & quotes please contact us:**

Acceso A #103, Fracc. Industrial Jurica 76130  
Santiago de Querétaro, Qro., México

**Phone Number:** +52 (442) 218 4570 / 218 7400  
**Fax Phone:** +52 (442) 218 4577

[www.qpumps.com](http://www.qpumps.com)  
[sales@qpumps.com](mailto:sales@qpumps.com)  
[administration@qpumps.com](mailto:administration@qpumps.com)